



# MODEL 2012 - current

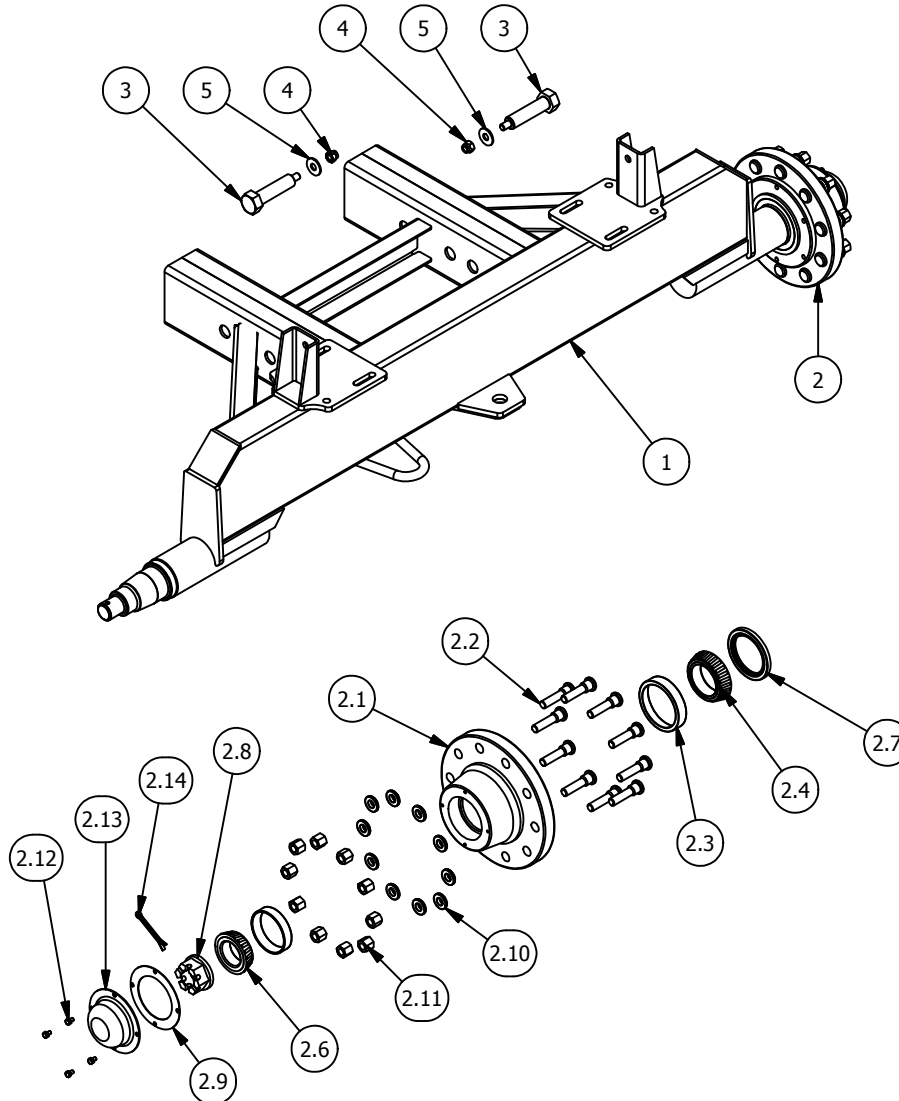
## MODEL 485 FRONT AXLE ASSEMBLY



Parts List			
ITEM	QTY	KEYWORDS	DESCRIPTION
1	1	22-1511	Front Axle Assembly
2	1	22-1751	Front Right Spindle
2.1	2	11-1009	Cup (13620)
2.2	2	11-1010	Cone (13686)
2.3	2	11-1011	Seal (CR20952)
3	1	22-1750	Front Left Spindle
4	2	22-1165	Spindle Pin Assembly(13 3/4")
5	1	22-1167	Rocking Bolster Assembly
6	1	22-1510	Bolster Pin Assembly
7	1	22-1106	Timkin Pin Assembly
8	3	11-1081	1" Heavy Hex Slotted Nut
9	2	33-1406	Hub c/w Parts (16000)
9.1	1	11-1405	Hub (16000) c/w Press in Bolts
9.2	10	11-1411	Stud Bolt 3/4"-16 x 3 1/2"
9.3	1	11-1410	Dust Cap(D16000)
9.4	1	11-1409	[Cup (47620)]
9.5	1	11-1408	[Cone(47687)]
9.6	1	11-1193	[Cup (39520)]
9.7	1	11-1192	[Cone(39585)]
9.8	1	11-1407	[Seal(38730)]
9.9	1	11-1412	1.75 Slotted Hex Nut
9.10	1	11-1642	Dust Cap Gasket(D16000)
9.11	1	11-1413	5/16 x 3 1/2 Cotter Pin
9.12	10	11-1638	16000lb Wheel Nut Flange Washer
9.13	10	11-1639	3/4"-16 Weel Nut
9.14	4	11-1640	Hex Bolt - (5/16-18 UNC x 1/2)
10	2	11-1168	Monro Shock (AM10041BTO)
11	2	22-1749	Tie Rod (32")
12	3	11-1016	3/16 x 2 Cotter Pin
13	3	11-1376	1" Washer
14	1	11-1617	3/8" x 2 3/4" Hex Bolt
16	2	11-1171	5/8" x 3-1/2" Bolt & Locknut
17	1	22-1748	485/605 Tongue Bracket
17.1	4	11-1009	Cup (13620)
17.2	4	11-1010	Cone (13686)
17.3	4	11-1011	Seal (CR20952)
18	2	11-1741	ES177 Tie Rod End
19	2	11-1742	ES177 Left Tie Rod End
20	2	11-1170	5/8" x 4" Bolt & Locknut
21	2	33-1754	Tie Rod c/w Ends

# 2012 - current MODEL 485 REAR AXLE ASSEMBLY

# HORST WAGONS



Parts List			
ITEM	QTY	PART NUMBERS	DESCRIPTION
1	1	22-1403	Rear Axle Assembly
2	2	33-1406	Hub c/w Parts (16000)
2.1	1	11-1405	Hub (16000) c/w Press in Bolts
2.2	10	11-1411	Stud Bolt 3/4"-16 x 3 1/2"
2.3	1	11-1409	[Cup (47620)]
2.4	1	11-1408	[Cone(47687)]
2.5	1	11-1193	[Cup (39520)]
2.6	1	11-1192	[Cone(39585)]
2.7	1	11-1407	[Seal(38730)]
2.8	1	11-1412	1.75 Slotted Hex Nut
2.9	1	11-1642	Dust Cap Gasket(D16000)
2.10	10	11-1638	16000lb Wheel Nut Flange Washer
2.11	10	11-1639	3/4"-16 Weel Nut
2.12	4	11-1640	Hex Bolt - (5/16-18 UNC x 1/2)
2.13	1	11-1410	Dust Cap(D16000)
2.14	1	11-1413	5/16 x 3 1/2 Cotter Pin
3	2	11-1695	1 1/4 x 5 7/8" Reach Bolt (with step)
4	2	11-1026	5/8" Lock Nut
5	2	11-1440	5/8 Flat Washer